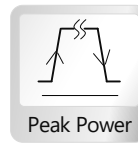




### KEY FEATURES

- Withstand high peak power up to 216W/9A
- Complies with IEC/UL 60950-1 standard
- Energy Star compliant
- No-load power consumption less than 0.15 W
- Mean Time Between Failures > 100,000 Hrs
- Japanese capacitors improve PSU reliability
- DC output plug changeable



### SPECIFICATION

Model Name		TG-7601-ES
Output	Rated Power	75 W
	Output Voltage	24 Vdc
	Maximum Output Current	3.125 A
	Over Current Limit	8 A @10A/s slew rate
	Minimum Output Current	0 A
	High Peak Power	9 A
	Ripple & Noise	≤ 240 mVp-p
	Hold Up Time	≥ 10 ms
Input	Input Voltage	90~264 Vac
	Input Frequency	47~63 Hz
	No-load Power Consumption	≤ 0.15 W
	Efficiency	≥ 89 %
	Inrush Current	≤ 40 A @115Vac, 25°C ; ≤ 80 A @230Vac, 25°C
EMC	Surge	2KV (L/N-G), 1KV (L-N)
	EMI	EN55032, FCC Part 15
	ESD	IEC61000-4-2
Environmental	Operating Temperature	0~+40 °C
	Storage Temperature	-40~+70 °C
	Operating Humidity	20~85 %RH
	Storage Humidity	10~95 %RH
	Operating Altitude	5,000 m
Others	Dimension (W x L x H)	80 x 165 x 50 mm (3.15 x 6.5 x 1.97 inch)
	Mean Time Between Failures	≥ 100,000 hours @25°C
	Certifications	CB, UL/cUL, FCC, CCC, LPS, PSE, KC

\*Specifications are subject to change without notice

CJ20230420



## APPLICATION

- Printing Machine



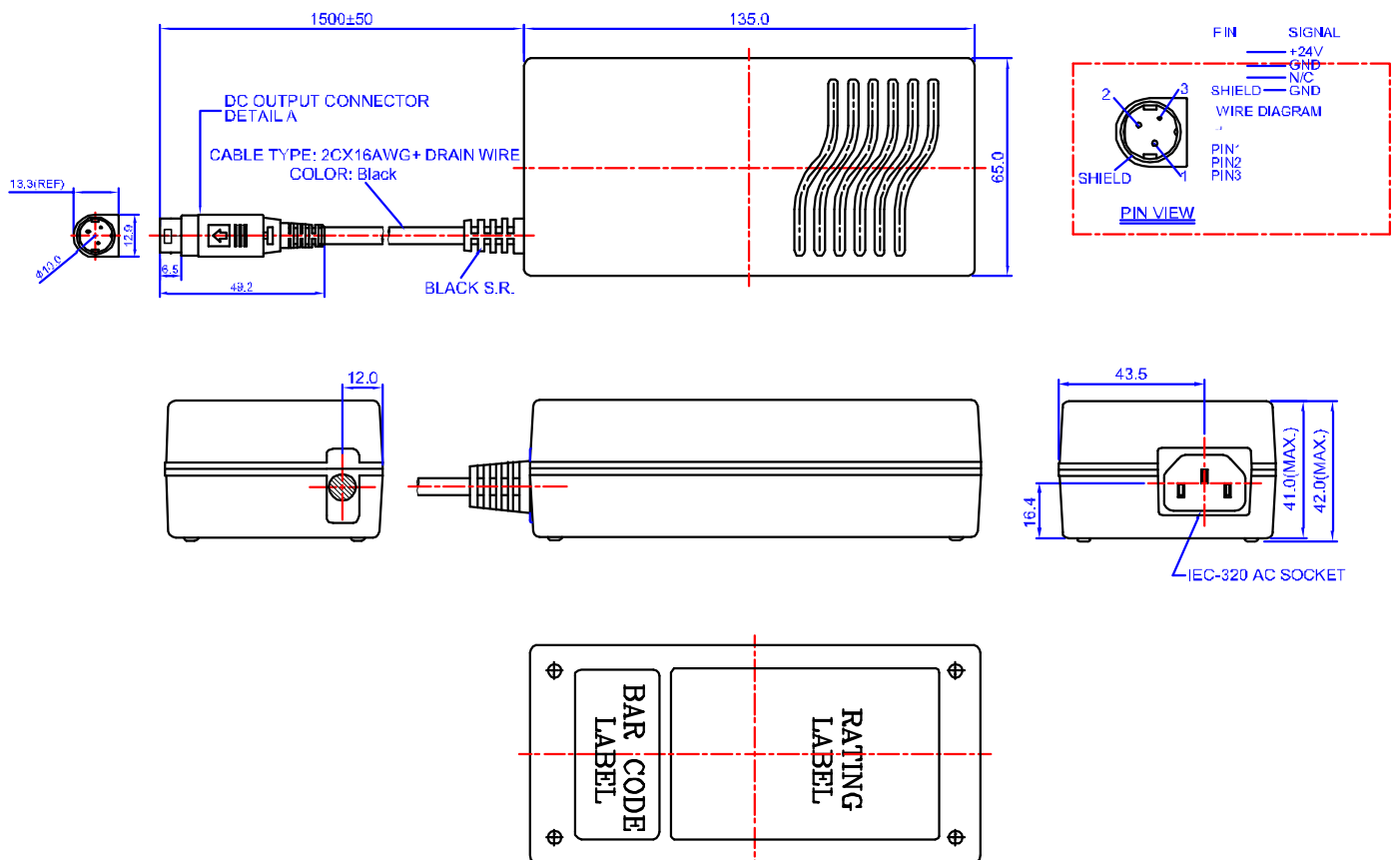
- POS



- Sewing Machine



## MECHANICAL SPECIFICATION



Unit: mm

**LEAD YEAR ENTERPRISE CO., LTD.**

2F No.618 RuiGuang Road, NeiHu District, Taipei, Taiwan 11492

Tel: +886-2-2657-2191

Fax: +886-2-2657-8798

Email: sales@tigerpower.com

CJ20230420

